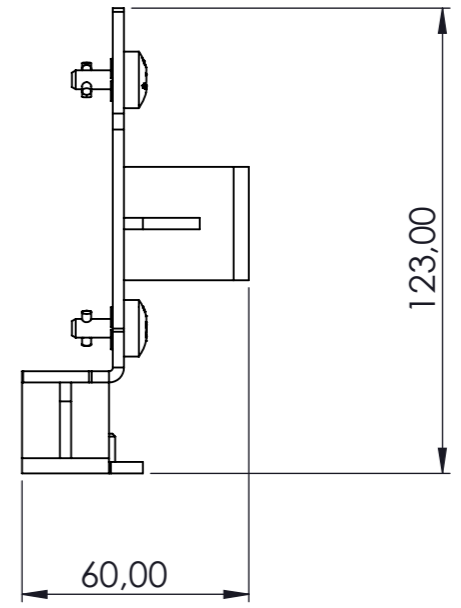
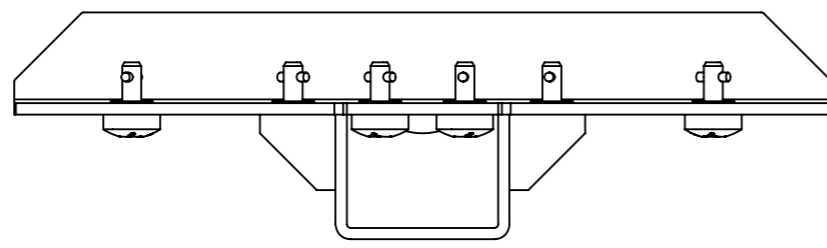
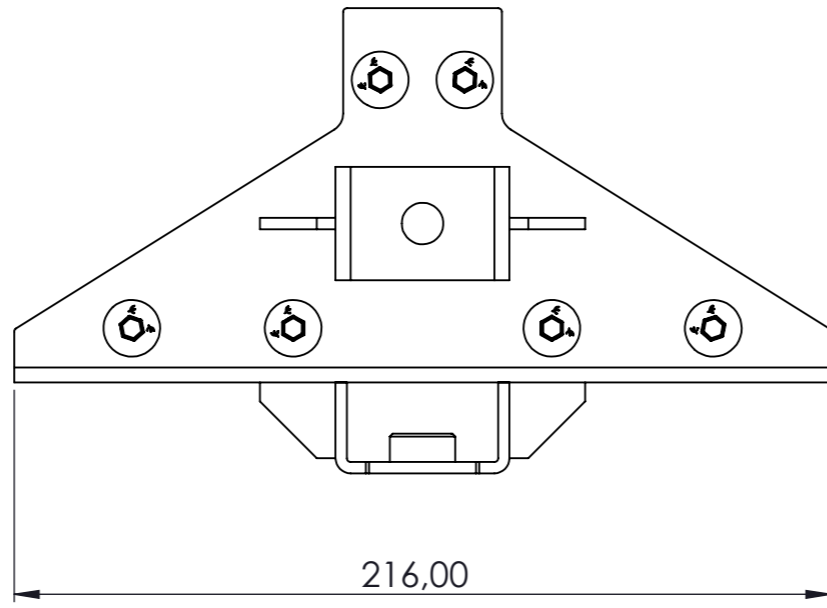
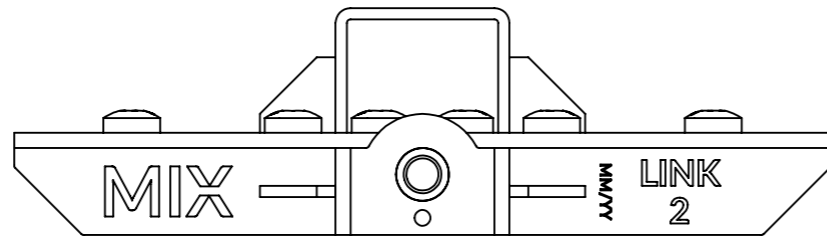


To use with standard clamps and hooks  
**Bolt diameter** : M10  
**Bolt depth** (under clamp base) : 30mm max.

DMGLUMIÈRE

**Note** : All rights reserved and belong to DMG Technologies / Lumiere. This document is confidential and intended solely for the use of the individual or entity to whom they are addressed.

MATERIAL: <b>X</b>	TITLE: FACES-VIEWS-LINK2	A3 Unit : mm
WEIGHT:	SCALE: <b>1:1</b>	SHEET 1 OF 2



DMGLUMIÈRE

**Note :** All rights reserved and belong to DMG Technologies / Lumiere. This document is confidential and intended solely for the use of the individual or entity to whom they are addressed.

MATERIAL: <b>X</b>	TITLE: FACES-VIEWS-LINK2	A3 Unit : mm
WEIGHT:	SCALE: <b>1:2</b>	SHEET 2 OF 2