

8 7 6 5 4 3 2 1

F F

E E

D D

C C

B B

A A

121,50

739,30

1411,50

DMGLUMIÈRE

**Note :** All rights reserved and belong to DMG Technologies / Lumiere. This document is confidential and intended solely for the use of the individual or entity to whom they are addressed.

MATERIAL:  
**X**

TITLE:  
**FACES-VIEW-DOUBLE-MAXI-MIX-PO-YOKE**

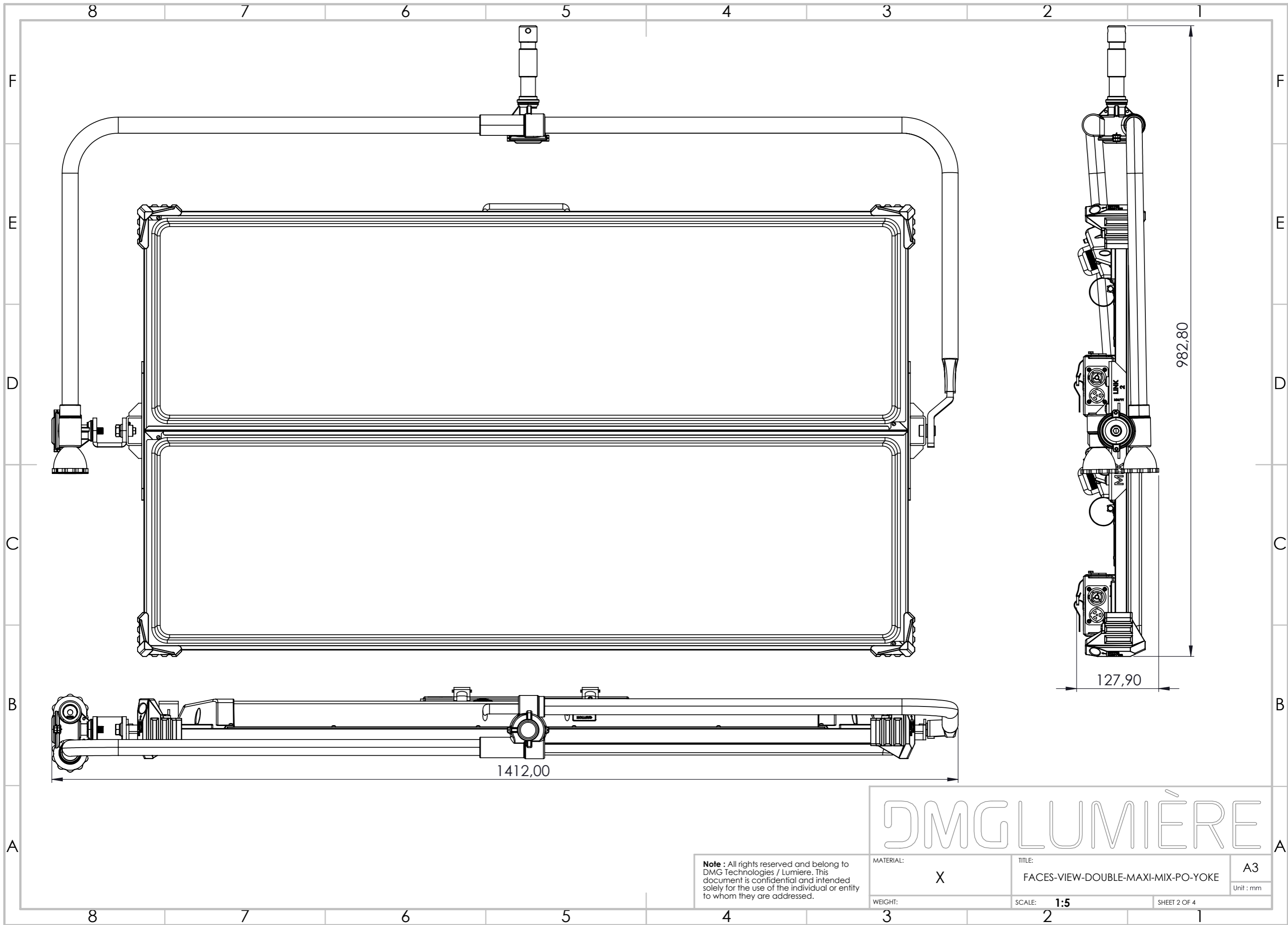
**A3**  
Unit : mm

WEIGHT:

SCALE: **1:5**

SHEET 1 OF 4

8 7 6 5 4 3 2 1



F  
E  
D  
C  
B  
A

8 7 6 5 4 3 2 1

8 7 6 5 4 3 2 1

1412,00

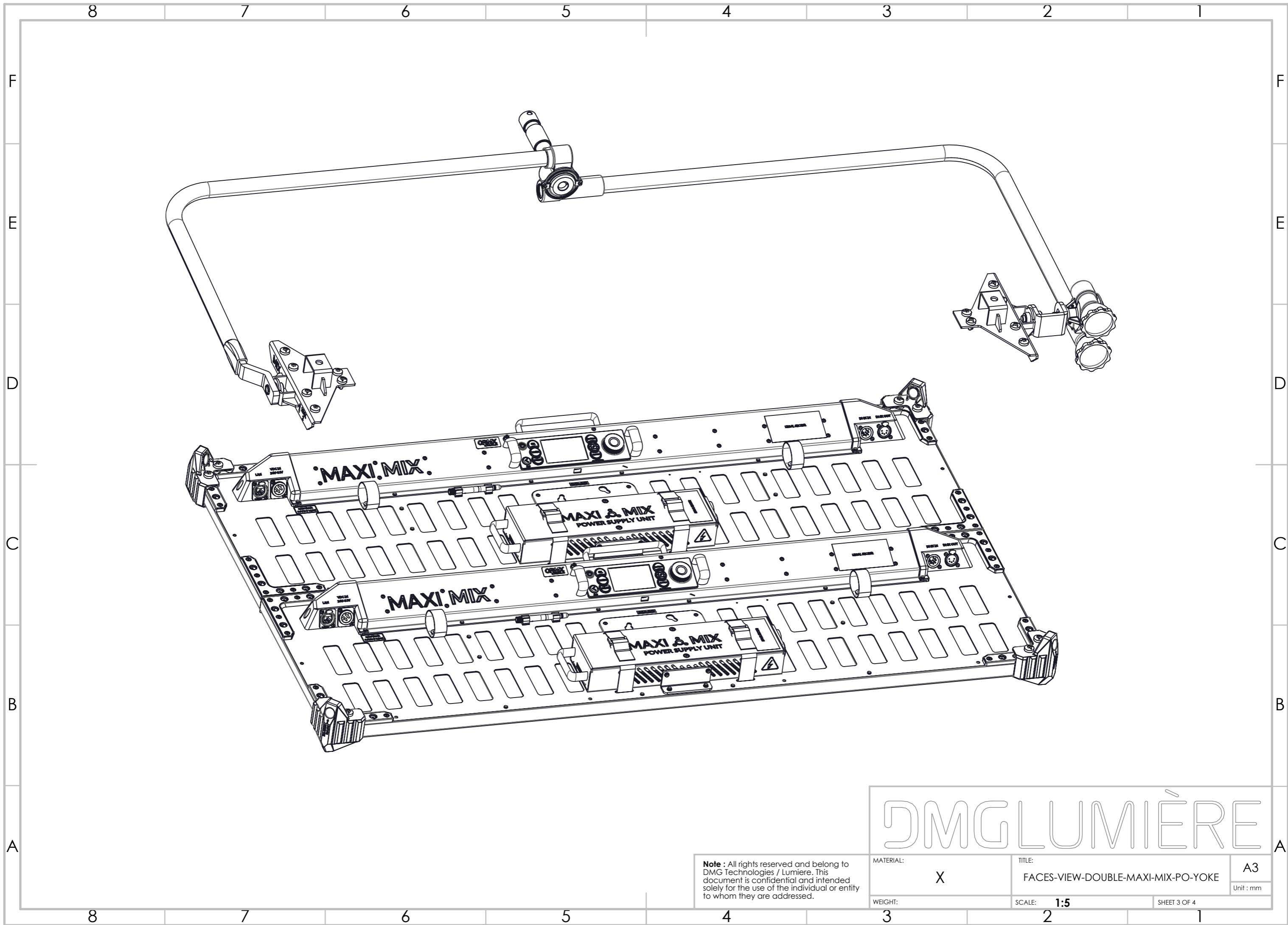
127,90

982,80

DMGLUMIÈRE

**Note :** All rights reserved and belong to DMG Technologies / Lumiere. This document is confidential and intended solely for the use of the individual or entity to whom they are addressed.

MATERIAL: <b>X</b>	TITLE: FACES-VIEW-DOUBLE-MAXI-MIX-PO-YOKE	A3 Unit : mm
WEIGHT:	SCALE: <b>1:5</b>	SHEET 2 OF 4



# DMGLUMIÈRE

**Note :** All rights reserved and belong to DMG Technologies / Lumiere. This document is confidential and intended solely for the use of the individual or entity to whom they are addressed.

MATERIAL:  
**X**

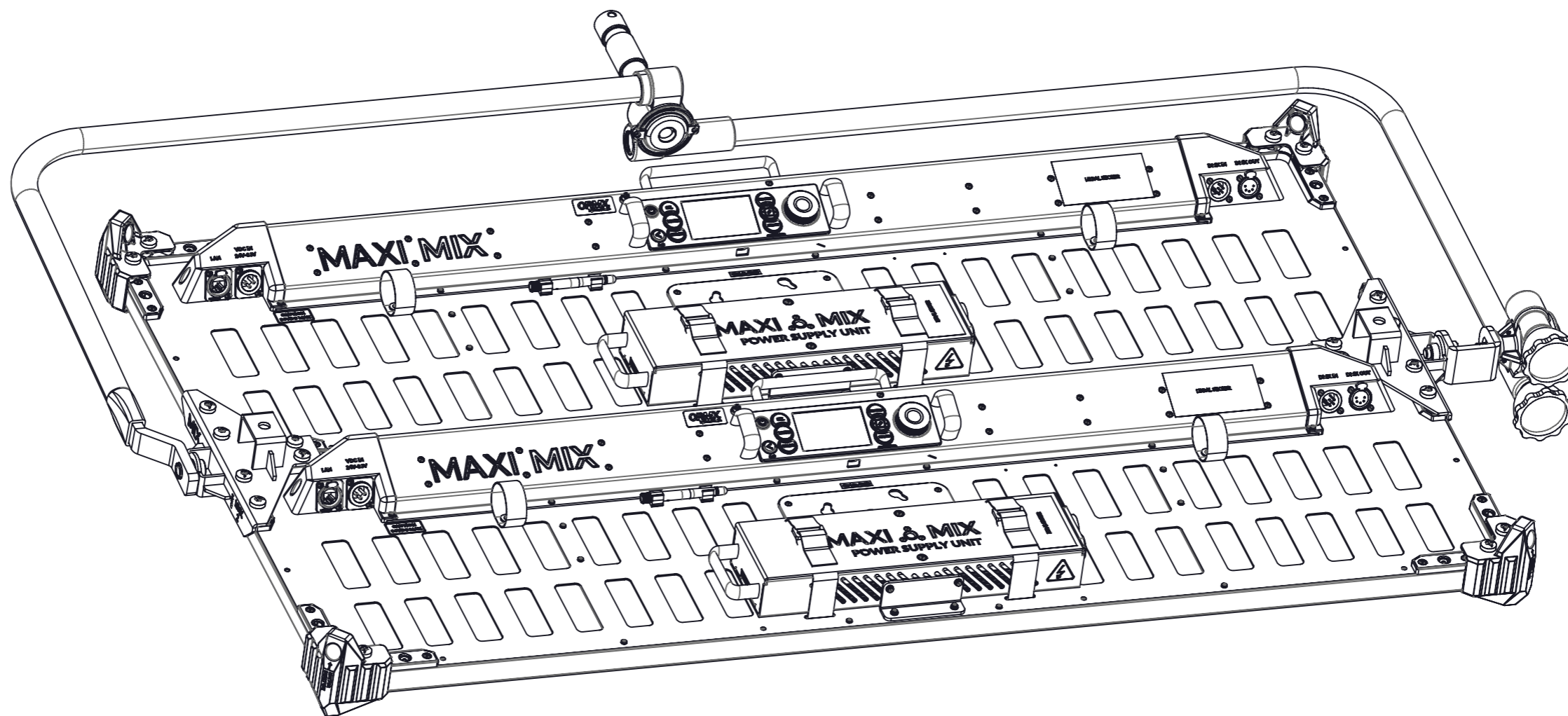
TITLE:  
**FACES-VIEW-DOUBLE-MAXI-MIX-PO-YOKE**

**A3**  
Unit : mm

WEIGHT:

SCALE: **1:5**

SHEET 3 OF 4



DMGLUMIÈRE

**Note :** All rights reserved and belong to DMG Technologies / Lumiere. This document is confidential and intended solely for the use of the individual or entity to whom they are addressed.

MATERIAL:  
X

TITLE:  
FACES-VIEW-DOUBLE-MAXI-MIX-PO-YOKE

A3  
Unit : mm

WEIGHT:

SCALE: 1:5

SHEET 4 OF 4